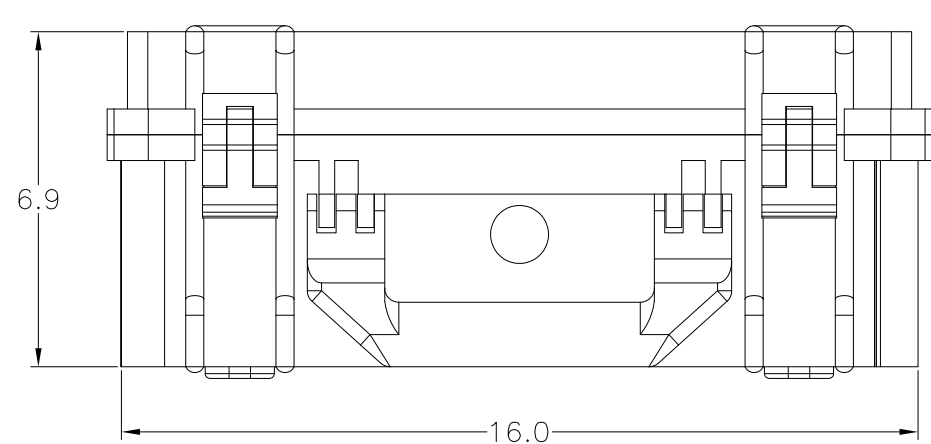
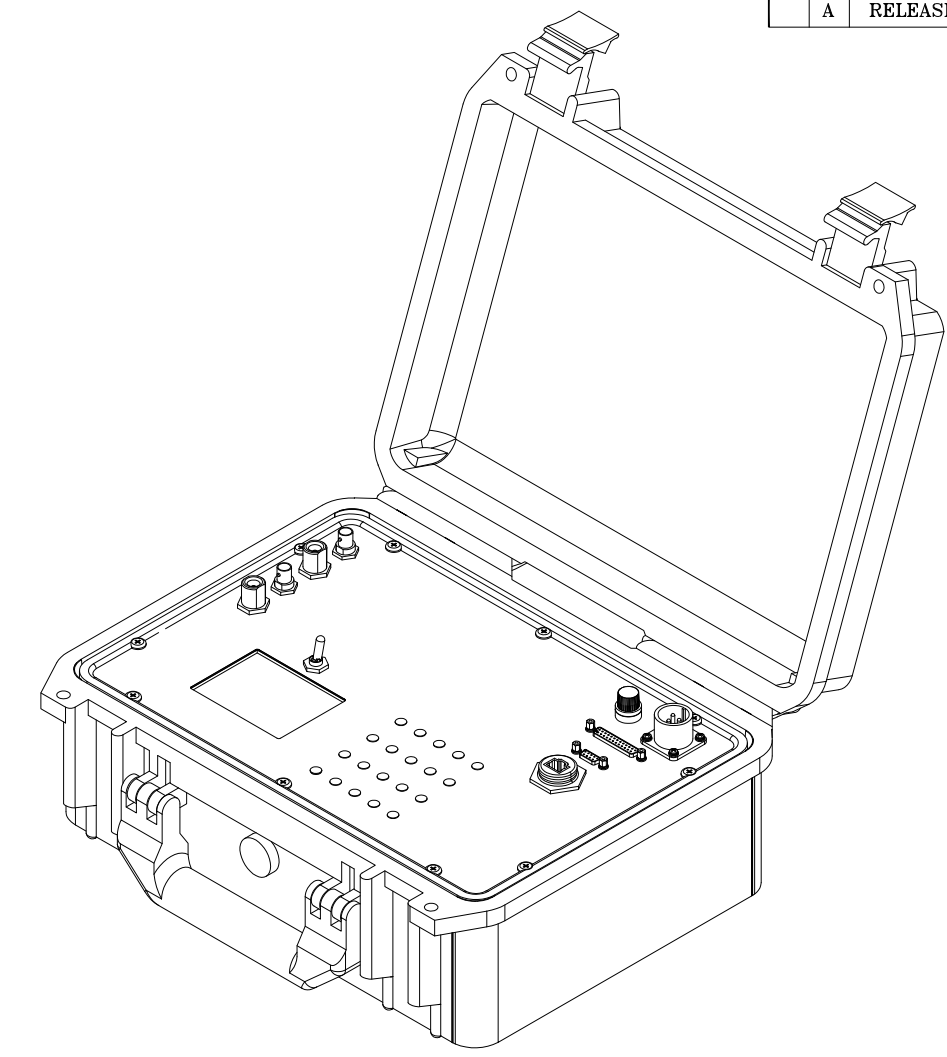
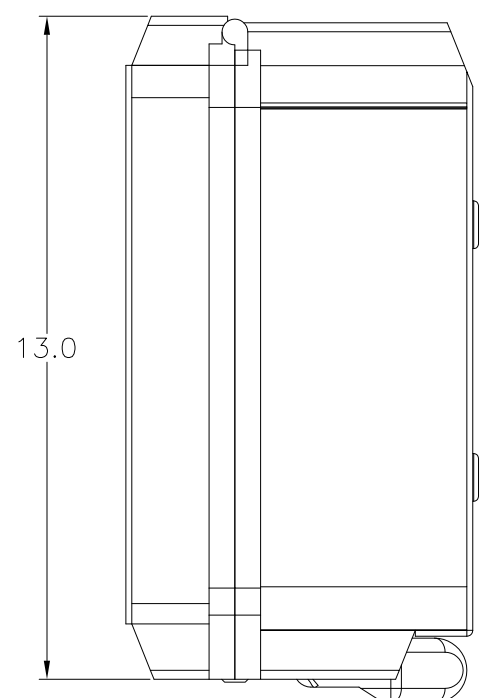
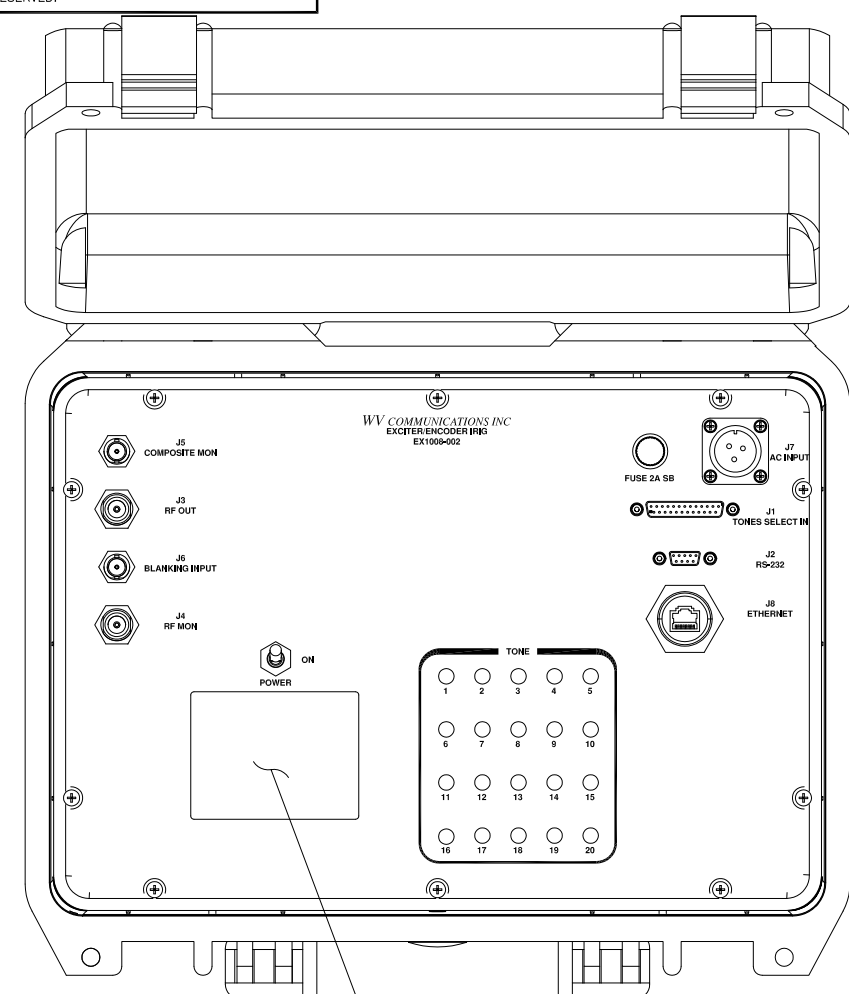


**** PROPRIETARY DATA ****
 THIS DOCUMENT CONTAINS DATA WHICH IS PROPRIETARY OR CONFIDENTIAL TO WV COMM (WV COMMUNICATIONS INCORPORATED). THIS DOCUMENT AND THE DATA CONTAINED HEREIN SHALL NOT BE USED, DUPLICATED, OR ALTERED WITHOUT THE EXPRESSED WRITTEN CONSENT OF WV COMM. ALL RIGHTS ARE RESERVED.

REVISIONS				
ZONE	REV	DESCRIPTION	DATE	APPROVED
A		RELEASE	7/22/2011	TT

D
C
B
A



EXCITER
CARRIER FREQUENCY: 370.0 to 450.0MHz
CARRIER FREQUENCY STEPS: 5.0KHz Steps
CARRIER STABILITY: ±0.0005% (±5ppm) Maximum
OUTPUT POWER RANGE: 0 to -127dBm in 1dB Steps
FM MODULATION RESPONSE: ±0.5dB Maximum over 5-75KHz
DEVIATION LEVEL: 30KHz per Tone Nominal
DEVIATION LEVEL ADJUST: Set for 0-40KHz Pk Deviation (Nominal 30KHz per Tone) Selectable via Front Panel or Remote
HARMONIC DISTORTION: 1% Maximum

ENCODER
NUMBER OF IRIG TONES: 20 Tones
TONE FREQUENCY STABILITY: 0.01% Maximum
TONE ACTIVATION INPUT: LOCAL or Ethernet UDP/IP or RS-232
OUTPUT AMPLITUDE VARIATION: 15% Maximum
OUTPUT DISTORTION: 1% Maximum with any Tone Enabled
TONE MONITOR OUTPUT: 1V Pk-Pk/30KHz Deviation/50Ω Load Nominal
TONE OUTPUT SIGNAL DELAY: 5mSec Maximum from Application of Tone Command to Stable Output within 0.01% Frequency Stable within 0.1% after 1 second
TURN ON STABILITY: See Table
TONE FREQUENCIES: Front Panel 20ea LEDs indicate active Tones
LED TONE MONITOR: Via Front Panel Color LCD Touchscreen
LOCAL TONE ACTIVATION: Via ETHERNET UDP/IP Interface or RS-232
REMOTE TONE ACTIVATION: Via ETHERNET UDP/IP Interface or RS-232
BLANKING INPUT: 0V=RF On, +5V=RF Off (Blanking on)

REMOTE OPERATION Protocol: Ethernet UDP/IP
 Serial RS-232C 9.6-115.2K 8,N,1
MAIN SET & QUERY FUNCTIONS: Frequency, Deviation, RF Output Power
OPERATING TEMPERATURE: 0 to +50°C
INPUT AC POWER: 115/230VAC Auto Switch at 2.0 Amps Max
 Single Phase, 47-63Hz
FRONT PANEL COLOR: BLACK FED-STD-595 #27038
WEIGHT: 12LBs Maximum

TONE	IRIG FREQUENCY (KHz)	TONE	IRIG FREQUENCY (KHz)
1	7.50	11	25.01
2	8.46	12	28.21
3	9.54	13	31.83
4	10.76	14	35.90
5	12.14	15	40.49
6	13.70	16	45.68
7	15.45	17	51.52
8	17.43	18	58.12
9	19.66	19	65.56
10	22.17	20	73.95

PIN NO.	PIN NAME	PIN NO.	PIN NAME
1	N/C	14	N/C
2	N/C	15	N/C
3	N/C	16	N/C
4	N/C	17	N/C
5	N/C	18	N/C
6	N/C	19	N/C
7	N/C	20	N/C
8	N/C	21	N/C
9	N/C	22	N/C
10	N/C	23	N/C
11	N/C	24	N/C
12	N/C	25	N/C
13	N/C		

PIN NO.	PIN NAME
1	N/C
2	RX
3	TX
4	N/C
5	GND
6	N/C
7	N/C
8	N/C
9	N/C

PIN NO.	PIN NAME
1	LINE
2	NEUTRAL
3	GROUND

PIN NO.	PIN NAME
1	TX+
2	TX-
3	RX+
4	N/C
5	N/C
6	RX-
7	N/C
8	N/C

UNLESS OTHERWISE SPECIFIED: DIMENSIONS ARE IN INCHES. TOLERANCES ARE: FRACTIONS DECIMALS ANGLES HOLES ± 1/64 .XXX.01 ±0°30' .XXX.005 .XXX.005 .XXX.005 .XXX.005 MACHINED FINISH: 32 RMS REMOVE BURRS .005 MAX		APPROVALS	DATE	WV Communications 1176 Tourmaline Dr. Newbury Park, CA EXCITER/ENCODER IRIG 20 TONE 370-450MHz -127dBm 5.0KHz STEPS MODEL: EX1008-002
900-50194-001	EX1008-002	DRAWN TONY T. 7/22/2011 CHECKED D. BERRYMAN 07/22/11 MECH ENGR T. TERRANOVA 07/22/11 ELEC ENGR J. TRANOVICH 07/22/11 PRODUCTION A. MEDINA 07/22/11 Q.A. W. OKAZAKI 07/22/11		
NEXT ASSEMBLY USED ON		FINISH		SIZE CAGE CODE DWG. NO. REV D 1GFQ7 050-50584-002 A
APPLICATION		DO NOT SCALE DRAWING		SCALE NONE SHEET 1 OF 1

REV C 06/08
 050-50584-002