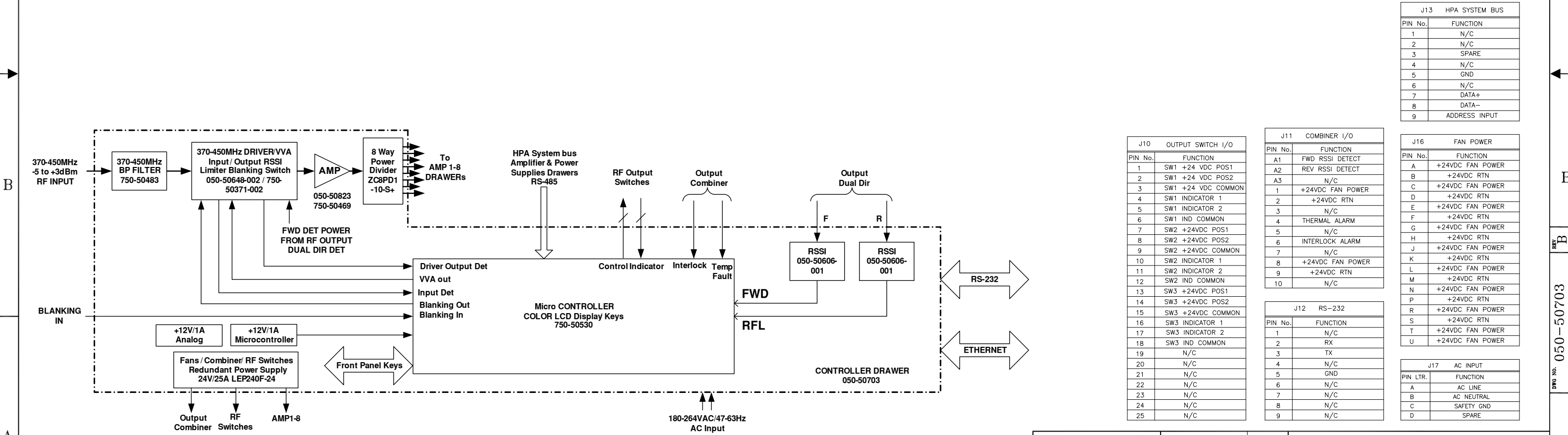
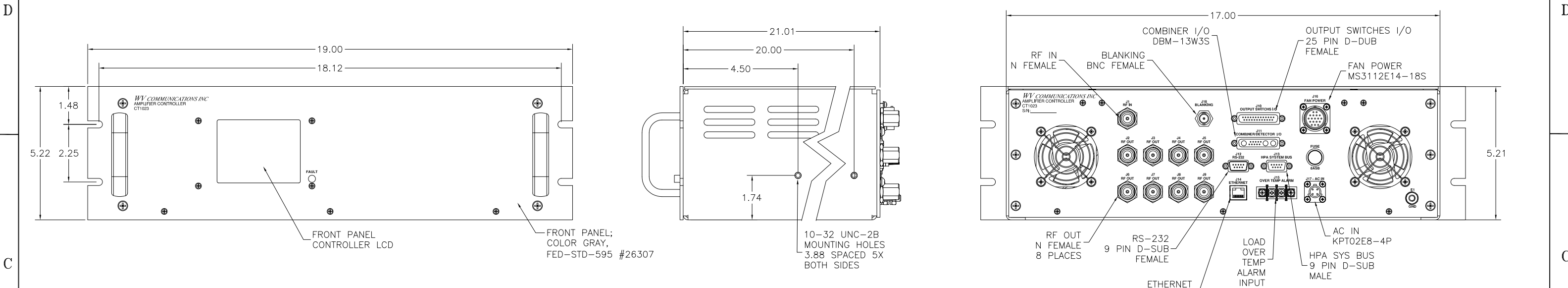


**** PROPRIETARY DATA ****
 THIS DOCUMENT CONTAINS DATA WHICH IS PROPRIETARY OR CONFIDENTIAL TO WV COMM (WV COMMUNICATIONS INCORPORATED). THIS DOCUMENT AND THE DATA CONTAINED HEREIN SHALL NOT BE USED, DUPLICATED, OR ALTERED WITHOUT THE EXPRESSED WRITTEN CONSENT OF WV COMM. ALL RIGHTS ARE RESERVED.

REVISIONS				
ZONE	REV	DESCRIPTION	DATE	APPROVED
	A	RELEASE	6/1/2011	TT
	B	ADDED BNC CONNECTOR	02NOV09	TT



J13 HPA SYSTEM BUS	
PIN No.	FUNCTION
1	N/C
2	N/C
3	SPARE
4	N/C
5	GND
6	N/C
7	DATA+
8	DATA-
9	ADDRESS INPUT

J10 OUTPUT SWITCH I/O	
PIN No.	FUNCTION
1	SW1 +24 VDC POS1
2	SW1 +24 VDC POS2
3	SW1 +24 VDC COMMON
4	SW1 INDICATOR 1
5	SW1 INDICATOR 2
6	SW1 IND COMMON
7	SW2 +24VDC POS1
8	SW2 +24VDC POS2
9	SW2 +24VDC COMMON
10	SW2 INDICATOR 1
11	SW2 INDICATOR 2
12	SW2 IND COMMON
13	SW3 +24VDC POS1
14	SW3 +24VDC POS2
15	SW3 +24VDC COMMON
16	SW3 INDICATOR 1
17	SW3 INDICATOR 2
18	SW3 IND COMMON
19	N/C
20	N/C
21	N/C
22	N/C
23	N/C
24	N/C
25	N/C

J11 COMBINER I/O	
PIN No.	FUNCTION
A1	FWD RSSI DETECT
A2	REV RSSI DETECT
A3	N/C
1	+24VDC FAN POWER
2	+24VDC RTN
3	+24VDC RTN
4	THERMAL ALARM
5	N/C
6	INTERLOCK ALARM
7	N/C
8	+24VDC FAN POWER
9	+24VDC RTN
10	N/C

J12 RS-232	
PIN No.	FUNCTION
1	N/C
2	RX
3	TX
4	N/C
5	GND
6	N/C
7	N/C
8	N/C
9	N/C

J16 FAN POWER	
PIN No.	FUNCTION
A	+24VDC FAN POWER
B	+24VDC RTN
C	+24VDC FAN POWER
D	+24VDC RTN
E	+24VDC FAN POWER
F	+24VDC RTN
G	+24VDC FAN POWER
H	+24VDC RTN
J	+24VDC FAN POWER
K	+24VDC RTN
L	+24VDC FAN POWER
M	+24VDC RTN
N	+24VDC FAN POWER
P	+24VDC RTN
R	+24VDC FAN POWER
S	+24VDC RTN
T	+24VDC FAN POWER
U	+24VDC RTN

J17 AC INPUT	
PIN LTR.	FUNCTION
A	AC LINE
B	AC NEUTRAL
C	SAFETY GND
D	SPARE

UNLESS OTHERWISE SPECIFIED: DIMENSIONS ARE IN INCHES. TOLERANCES ARE:
 FRACTIONS DECIMALS ANGLES HOLES
 ± 1/64 .XXX.01 ±0°30' .XXX+.005
 .XXX.005 .XXX+.003
 MACHINED FINISH: 32 RMS REMOVE BURRS .005 MAX

MATERIAL: _____
 FINISH: _____

APPROVALS	DATE
DRAWN G. GODDARD	3/3/2009
CHECKED GUY G.	3MAR09
MECH ENGR GG	3MAR09
ELEC ENGR JT	3MAR09
PRODUCTION AM	3MAR09
APPROVED UY	3MAR09

WV Communications 1176 Tourmaline Dr. Newbury Park, CA

CONTROLLER, 10KW HPA, 370-450MHz, 8 OUTPUT CT1023

SIZE D	CAGE CODE 1GFQ7	DWG. NO. 050-50703	REV B
SCALE NONE	SHEET 1 OF 1		

900-50260	SYS1018
900-50251	CT1023
NEXT ASSEMBLY	USED ON
APPLICATION	DO NOT SCALE DRAWING

REV. C. 06/08
 DWG. NO. 050-50703