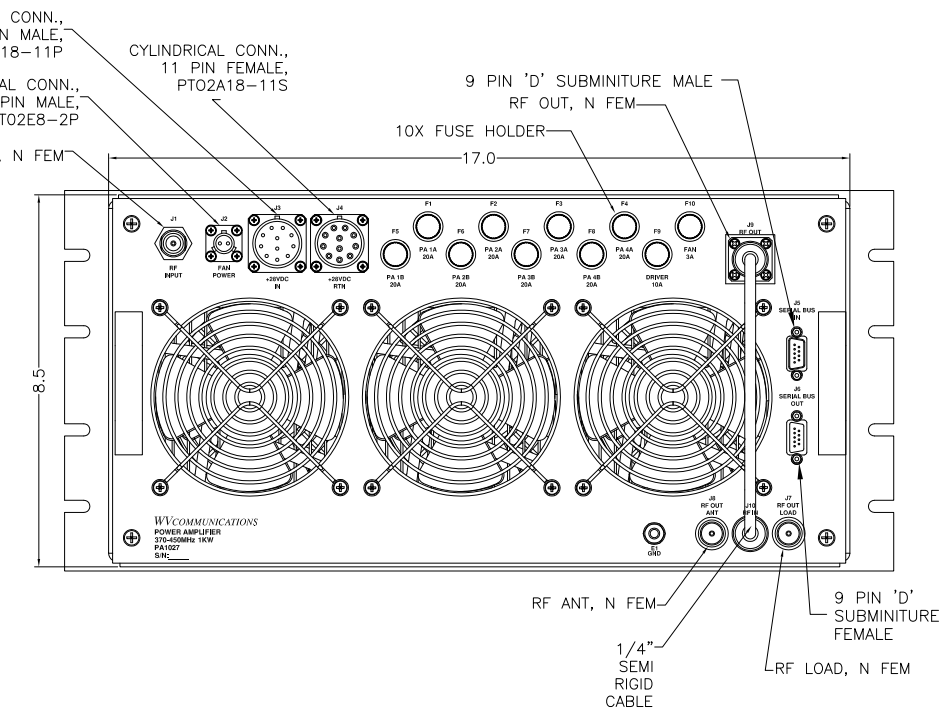
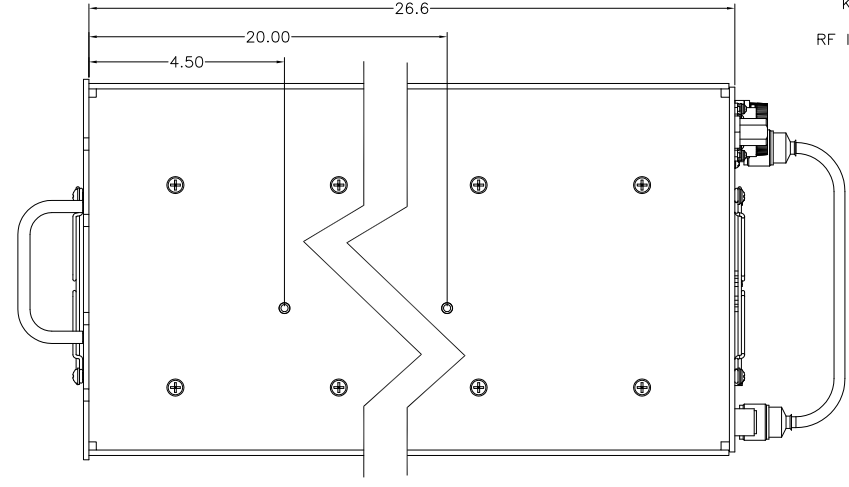
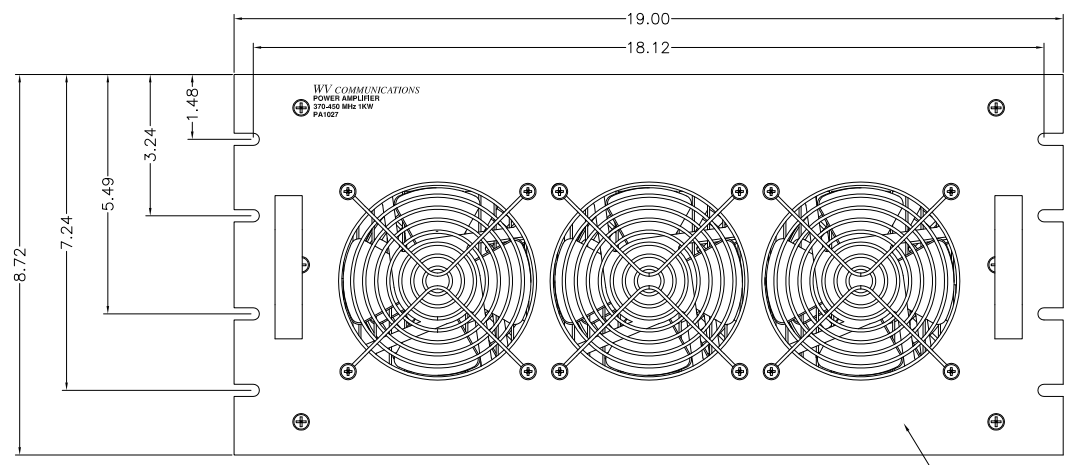


**\*\* PROPRIETARY DATA \*\***  
 THIS DOCUMENT CONTAINS DATA WHICH IS PROPRIETARY OR CONFIDENTIAL TO WV COMM (WV COMMUNICATIONS INCORPORATED). THIS DOCUMENT AND THE DATA CONTAINED HEREIN SHALL NOT BE USED, DUPLICATED, OR ALTERED WITHOUT THE EXPRESSED WRITTEN CONSENT OF WV COMM. ALL RIGHTS ARE RESERVED.

REVISIONS				
ZONE	REV	DESCRIPTION	DATE	APPROVED
A		RELEASE	19DEC05	T.T.



J5 - SERIAL BUS IN	
PIN NO.	PIN NAME
1	FWD DET PWR OUT
2	RELAY CTRL IN
3	RELAY IND OUT
4	GND
5	GND
6	RFL DET PWR OUT
7	DATA+
8	DATA-
9	ADDR

J6 - SERIAL BUS OUT	
PIN NO.	PIN NAME
1	SPARE
2	SPARE
3	SPARE
4	SPARE
5	GND
6	SPARE
7	DATA+
8	DATA-
9	SPARE

**SPECIFICATIONS SUMMARY**

**OPERATING FREQUENCY RANGES:** 370-450MHz  
**RF OUTPUT POWER:** 1KW Min at 1dB Compression (1.3KW Typical)  
**GAIN:** 34dB Minimum  
**RF INPUT POWER WITHOUT DAMAGE:** 0.5W Maximum  
**SMALL SIGNAL GAIN FLATNESS:** ±1dB Maximum Into 1.25:1 Output Load VSWR  
**INPUT AND OUTPUT IMPEDANCE:** 50Ω Nominal  
**INPUT VSWR:** 2.0:1 Maximum (Ref 50Ω)  
**HARMONIC SIGNAL LEVELS:** Integral Low Pass Filter  
 -90dBc Maximum from 1100 – 2750MHz  
 -55dBc Maximum  
**SPURIOUS SIGNAL LEVELS:** -55dBc Maximum  
**RF POWER RSSI INDICATION:** 1.275Vdc/10KΩ Load Nominal for both Forward and Reflected RF Level  
**RF OUTPUT SWITCH:** SPDT High Power RF SWITCH with Integral indicators  
**TEMPERATURE RANGES:** Operating 0 to +50°C Storage -20 to +70°C  
**COOLING:** Forced air via integral Front Panel Intake and Rear Panel Exhaust Fans  
 MSL to 70,000 Ft  
**ALTITUDE:** MSL to 70,000 Ft  
**DC INPUT POWER:** +28Vdc at 90 Amps Maximum (75 Amps Typical)  
**FAN DC INPUT POWER:** +24Vdc at 3 Amps Maximum  
**WEIGHT:** 120 Lbs. Maximum  
**FRONT PANEL PAINT:** Grey 26307 FED-STD-595A

UNLESS OTHERWISE SPECIFIED: DIMENSIONS ARE IN INCHES. TOLERANCES ARE: FRACTIONS DECIMALS ANGLES HOLES ± 1/64 .XXX.01 ±0°30' .XXX.005 .XXX.005 .XXX.003 .XXX+.003 MACHINED FINISH: 32 RMS REMOVE BURRS .005 MAX		APPROVALS	DATE	<b>WV Communications</b> 1176 Tourmaline Dr. Newbury Park, CA <b>AMPLIFIER DRAWER 370-450MHz 1KW WITH SPDT SWITCH AND SERIAL INTERFACE PA1027</b>
MATERIAL		DRAWN G. GODDARD	19DEC05	
FINISH		CHECKED TONY T.	19DEC05	SIZE CAGE CODE DWG. NO. REV <b>D 1GFQ7 050-50666 A</b>
900-50227		MECH ENGR GG	19DEC05	
NEXT ASSEMBLY USED ON		ELEC ENGR JT	19DEC05	SCALE NONE SHEET 1 OF 1
APPLICATION		PRODUCTION AM	19DEC05	
DO NOT SCALE DRAWING		Q.A. DB	19DEC05	

REV A  
 DWG NO. 050-50666