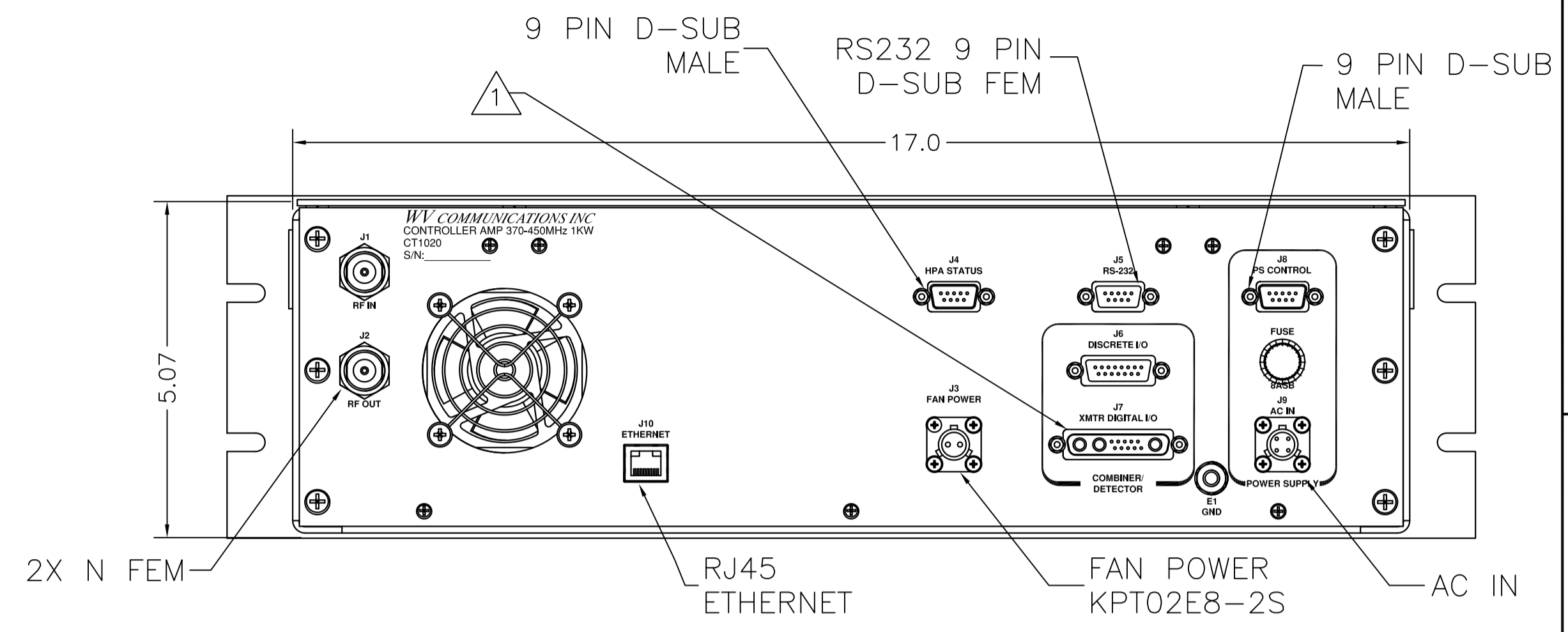
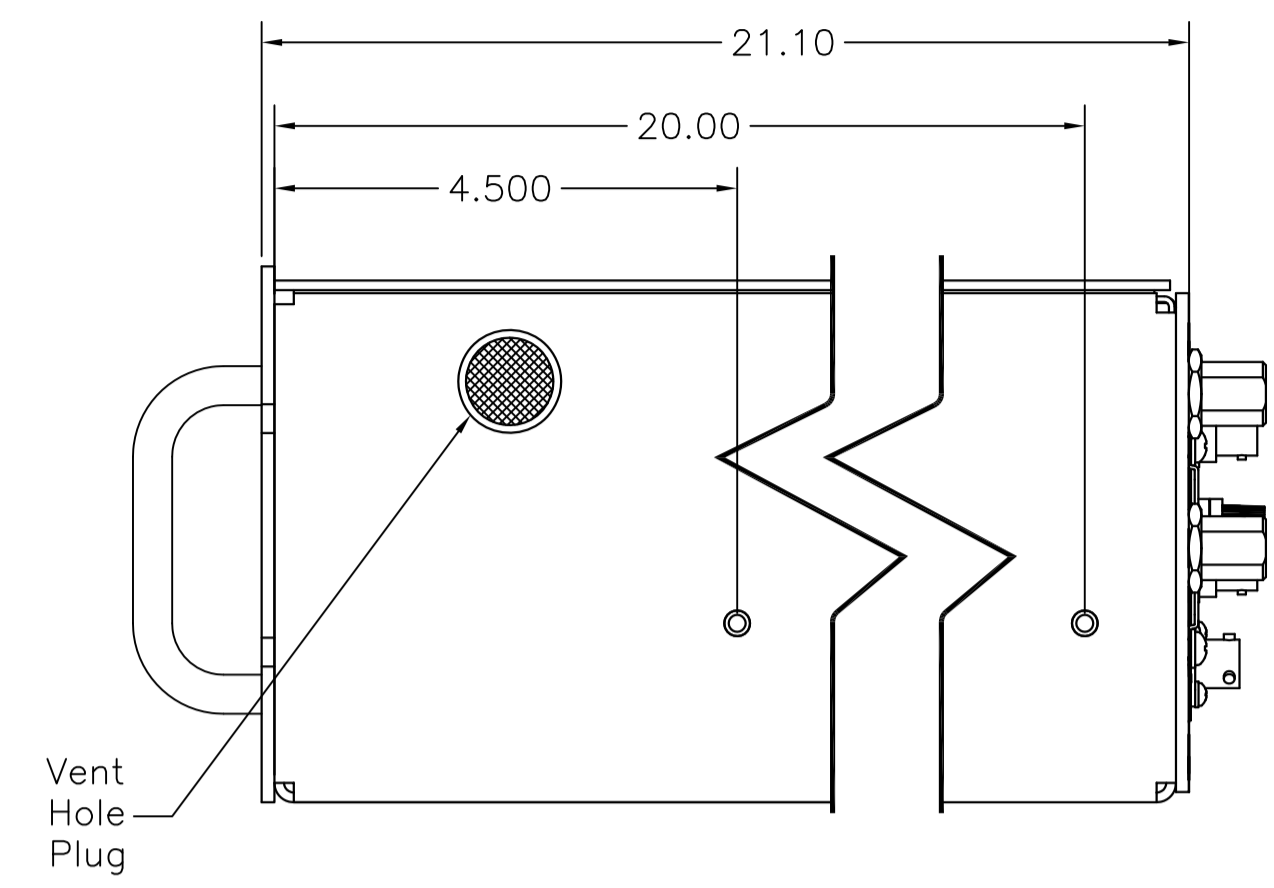
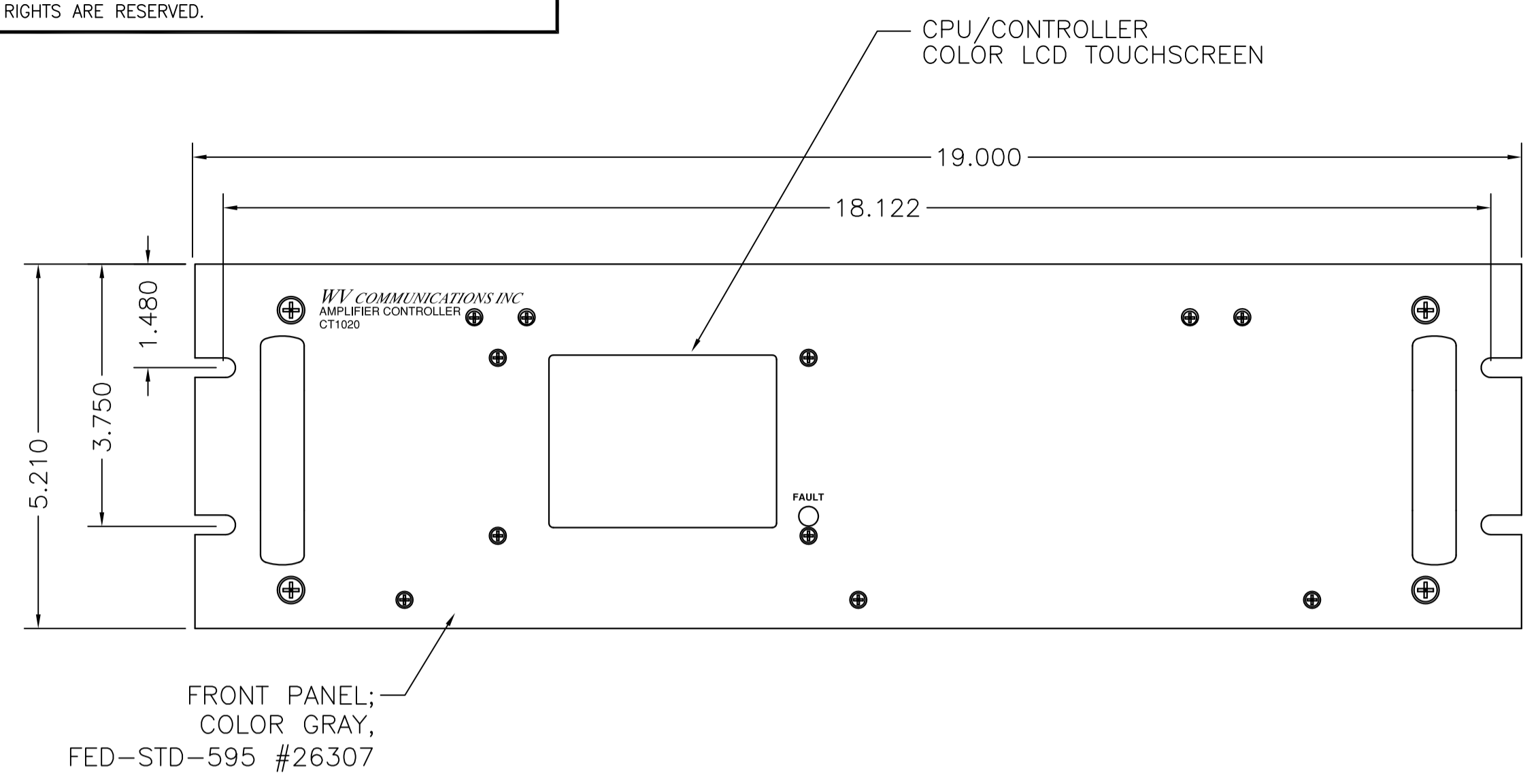


**\*\* PROPRIETARY DATA \*\***  
 THIS DOCUMENT CONTAINS DATA WHICH IS PROPRIETARY OR CONFIDENTIAL TO WV COMM (WV COMMUNICATIONS INCORPORATED). THIS DOCUMENT AND THE DATA CONTAINED HEREIN SHALL NOT BE USED, DUPLICATED, OR ALTERED WITHOUT THE EXPRESSED WRITTEN CONSENT OF WV COMM. ALL RIGHTS ARE RESERVED.

REVISIONS				
ZONE	REV	DESCRIPTION	DATE	APPROVED
	A	RELEASE	2/JUN08	GG
	B	MOVED LCD TOUCHSCREEN	17SEP09	GG DB
	C	REMOVED 2 CONNECTORS	6/28/11	TT



J4 - HPA STATUS	
PIN NO.	FUNCTION
1	FWD DET PWR
2	RELAY CTRL
3	RELAY IND
4	GND
5	GND
6	RFL DET PWR
7	DATA+
8	DATA-
9	ADDR

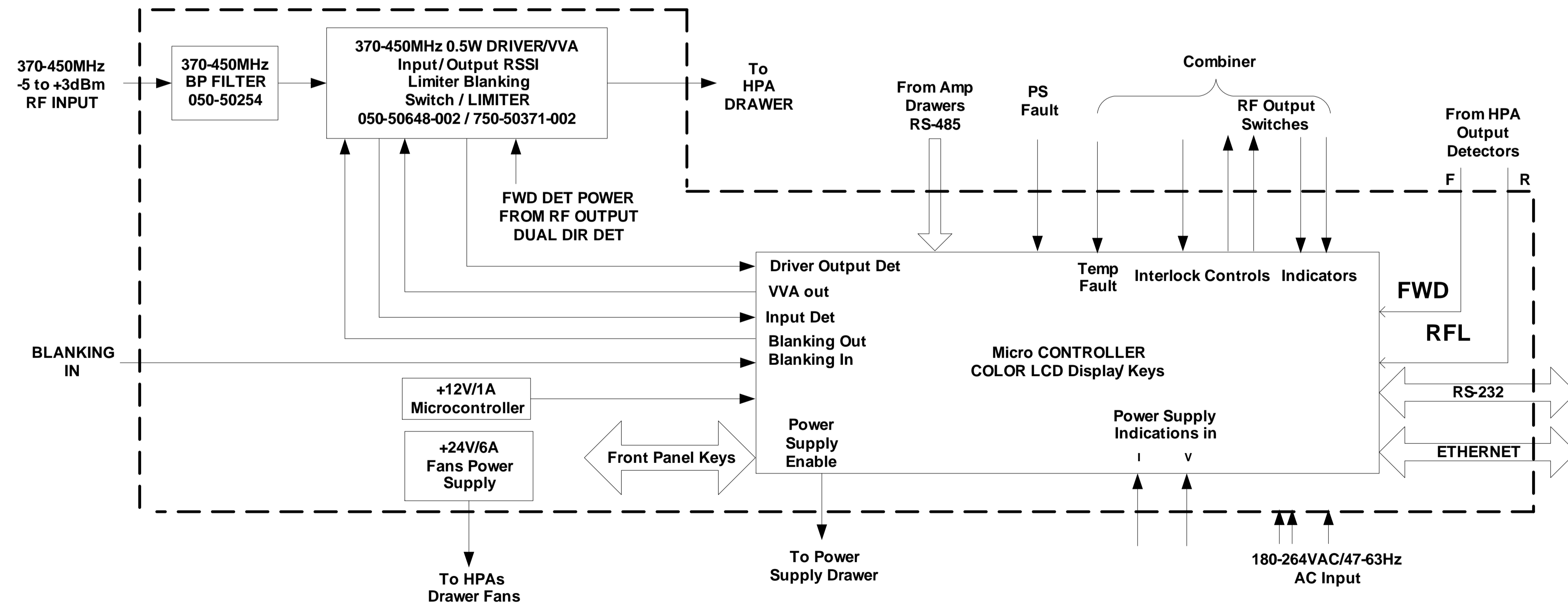
J5 - RS-232	
PIN NO.	PIN NAME
1	N/C
2	RX
3	TX
4	N/C
5	GND
6	N/C
7	N/C
8	N/C
9	BLANKING INPUT

J8 - PS CONTROL	
PIN NO.	FUNCTION
1	Spare
2	Spare
3	PS Enable
4	Current Monitor
5	Voltage Monitor
6	Fault
7	Spare
8	+12VDC RTN
9	+12VDC Out

J10 ETHERNET	
PIN NO.	PIN NAME
1	TX+
2	TX-
3	RX+
4	N/C
5	N/C
6	RX-
7	N/C
8	N/C

J3 - FAN POWER	
PIN NO.	FUNCTION
1	+24V
2	GND

J9 - AC IN	
PIN NO.	FUNCTION
A	AC LINE
B	AC NEUTRAL
C	SAFETY GND
D	SPARE



**RF SPECIFICATIONS:**  
**OPERATING FREQUENCY RANGES:** 370-450MHz  
**RF OUTPUT POWER:** 0.5W Minimum @ 1dB Comp each Output  
**GAIN:** 27dB Minimum at 1dB Comp  
**RF INPUT POWER W/O DAMAGE:** 10dBm Maximum  
**SMALL SIGNAL GAIN FLATNESS:** ±1dB Maximum Into 1.25:1 Load VSWR  
**INPUT AND OUTPUT IMPEDANCE:** 50 Ohm Nominal  
**INPUT VSWR:** 2.0:1 Maximum (Ref 50 Ohm)  
**SPURIOUS SIGNAL LEVELS:** -60dBc Maximum  
**TEMPERATURE RANGES:** Operating 0 to +50°C  
**COOLING REQUIRED:** Via Forced air Exhaust Fan  
**INTEGRAL VVA RANGE:** 0-30dB Minimum  
**INTEGRAL VVA CONTROL:** 0Vdc-Min Gain +4Vdc Max Gain  
**EXTERNAL BLANKING INPUT:** TTL '1'=BLANK ; TTL '0'=RF ON

**CPU/CONTROLLER LOCAL CONTROL:** Via Color Touchscreen LCD Display  
**REMOTE CONTROL:** Via RS-232C 38.4KB, N, 8, 1 Protocols  
 Ethernet UDP Protocol

**AC INPUT POWER AT:** 115/230VAC at 4/2 Amp Maximum  
 47-63 Hz Single Phase

**FRONT PANEL COLOR:** Gray Per MIL-STD-595-26307

**370-450MHz**  
 0.5W Minimum @ 1dB Comp each Output  
 27dB Minimum at 1dB Comp  
 10dBm Maximum  
 ±1dB Maximum Into 1.25:1 Load VSWR  
 50 Ohm Nominal  
 2.0:1 Maximum (Ref 50 Ohm)  
 -60dBc Maximum  
 Operating 0 to +50°C  
 Via Forced air Exhaust Fan  
 0-30dB Minimum  
 0Vdc-Min Gain +4Vdc Max Gain  
 TTL '1'=BLANK ; TTL '0'=RF ON

NOTES: UNLESS OTHERWISE SPECIFIED  
 1 J6 AND J7 TO BE USED FOR FUTURE EXPANSION.

UNLESS OTHERWISE SPECIFIED: DIMENSIONS ARE IN INCHES. TOLERANCES ARE:		APPROVALS	DATE
FRACTIONS	DECIMALS	ANGLES	HOLES
± 1/84	.XX±.01	±0°30'	.XX±.005
	.XXX±.005		.XXX±.003
			.XXX±.001
MACHINED FINISH: 32 RMS REMOVE BURRS .005 MAX		CHECKED	DATE
MATERIAL		MECH ENGR	02/JUN/08
FINISH		ELEC ENGR	02/JUN/08
NEXT ASSEMBLY USED ON		PRODUCTION	02/JUN/08
APPLICATION		Q.A.	02/JUN/08

**WV Communications** 1176 Tourmaline Dr. Newbury Park, Ca.

**CONTROLLER AMPLIFIER**  
 370-450MHz  
 MODEL: CT1020

SIZE	CAGE CODE	DWG. NO.	REV
D	1GFQ7	050-50663	C
SCALE	NONE	SHEET	1 OF 1

DWG NO. 050-50663  
 REV. C  
 DC-PDRM-00015-3 REV. C. 08/08