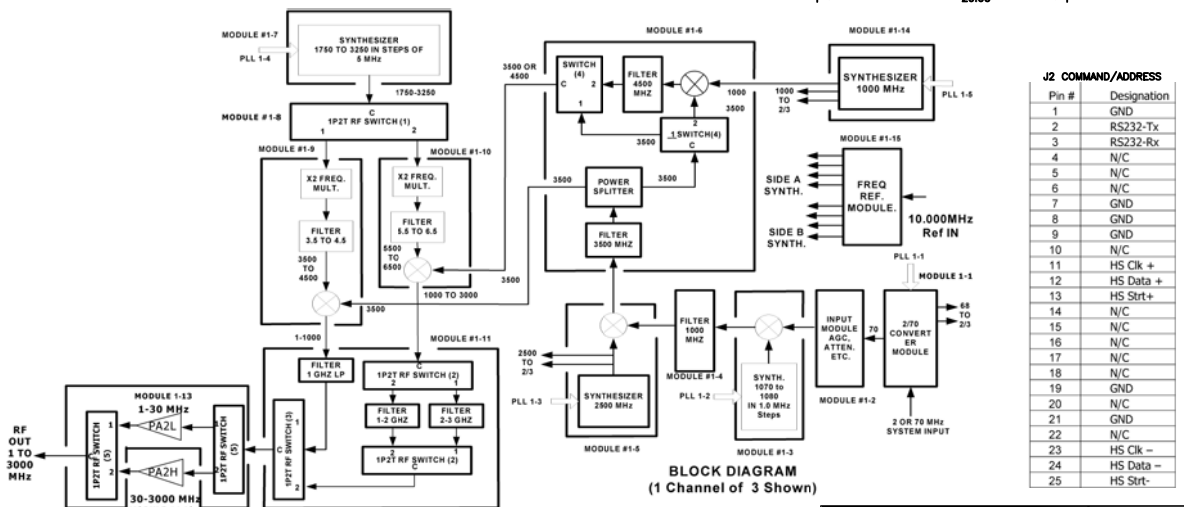
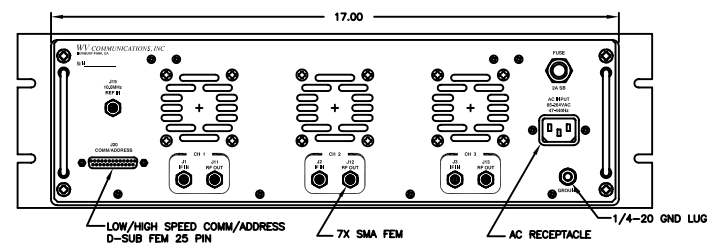
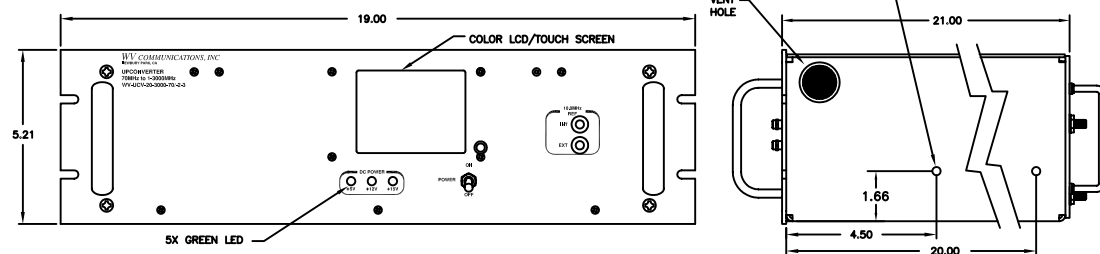


**\*\* PROPRIETARY DATA \*\***  
 THIS DOCUMENT CONTAINS DATA WHICH IS PROPRIETARY OR CONFIDENTIAL TO WV COMM (WV COMMUNICATIONS INCORPORATED). THIS DOCUMENT AND THE DATA CONTAINED HEREIN SHALL NOT BE USED, DUPLICATED, OR ALTERED WITHOUT THE EXPRESSED WRITTEN CONSENT OF WV COMM. ALL RIGHTS ARE RESERVED.

REVISIONS				
ZONE	REV	DESCRIPTION	DATE	APPROVED
	A	RELEASE	02-10-04	J.M.
	B	CHASSIS IS: 3U, WAS: 2U	4-15-04	J.M.
	C	AC RECEPTACLE WAS MS CONN.	5-21-04	J.M.



**J2 COMMAND/ADDRESS**

Pin #	Designation
1	GND
2	RS232-Tx
3	RS232-Rx
4	N/C
5	N/C
6	N/C
7	GND
8	GND
9	GND
10	N/C
11	HS Clk +
12	HS Data +
13	HS Strt+
14	N/C
15	N/C
16	N/C
17	N/C
18	N/C
19	GND
20	N/C
21	GND
22	N/C
23	HS Clk -
24	HS Data -
25	HS Strt-

**TRIPLE CHANNEL CONVERTER SPECIFICATIONS:**  
**IF INPUT FREQUENCY:** 2 MHz or 70±12.5MHz  
**RF OUTPUT FREQUENCY RANGE:** 1-3000MHz  
**RF INPUT POWER:** 0dBm Maximum  
**RF OUTPUT FLATNESS:** ±0.5dB Maximum  
**RF OUTPUT POWER:** +22dBm Minimum at 1dB Compression  
**LO FREQUENCY STEPS:** 1.00MHz  
**CONVERSION GAIN:** 20dB Nominal (0 dBm in, +20dBm out; typical)  
**GAIN ADJUSTMENT STEPS:** 1dB Nominal  
**NOISE FIGURE:** 20dB Maximum  
**TUNING TIME:** 100uSec Maximum (including Digital Command timing in High Speed Bus Communication Mode)  
**HARMONICS:** 40dBc Minimum  
**NOISE FLOOR:** -70dBm Minimum  
**SPURIOUS OUTPUTS:** -70dBc Maximum (signal related Non Harmonic)  
**CARRIER STABILITY:** ±2X10<sup>-5</sup> Maximum over 0-55°C  
**PHASE NOISE at 1KHz OFFSET:** -95dBc Maximum  
**EXTERNAL 10.0MHz LEVEL:** Auto switch to internal 10.00MHz when the External 10.00MHz reference is not present  
**COMMAND / CONTROL:** 0dBm±3dB / 50 Ohm  
 Front Panel Color LCD Touchscreen; Remote RS-232C and High Speed 10MB/Sec Proprietary Bus  
**OPTIONAL COMMUNICATIONS:** RS-422 and RS-485  
**WEIGHT:** 30 Lbs. Maximum

UNLESS OTHERWISE SPECIFIED: DIMENSIONS ARE IN INCHES. TOLERANCES ARE:  
 FRACTIONS DECIMALS ANGLES HOLES  
 ± 1/64 .XXX-01 ±0°30' .XXX-005  
 .XXX-005 .XXX-001

MACHINED FINISH: 32 RMS REMOVE BURRS .005 MAX

900-50136-001	ARGON	FINISH
NEXT ASSEMBLY	USED ON	
APPLICATION	DO NOT SCALE DRAWING	

APPROVALS	DATE
DRAWN J.M.	01-26-04
CHECKED J.MEDINA	02-10-04
MECH ENGR	
ELEC ENGR	
P/PA	
APPROVED	

**WV Communications** 1176 Tourmaline Dr.  
 Newbury Park, CA

**UPCONVERTER 2 or 70 to 1-3000MHz  
 3 CHANNEL W/LCD CONTROLLER  
 WV-UCV-20-3000-70/-2-3**

SIZE B	CAGE CODE 1GFQ7	DWG. NO. 050-50401	REV C
SCALE NONE	WEIGHT: 30 LBS.	SHEET 1 OF 1	

D  
C  
B  
A

D  
C  
B

4 3 2 1