

4

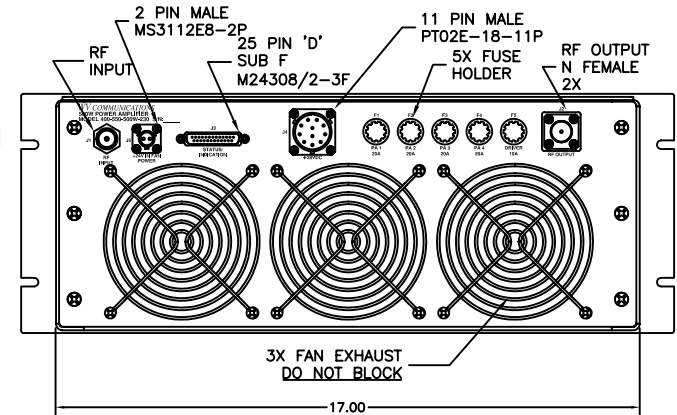
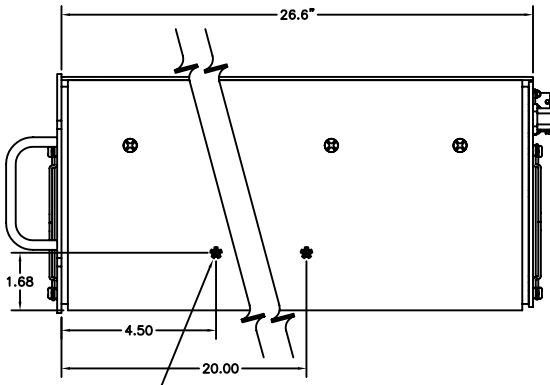
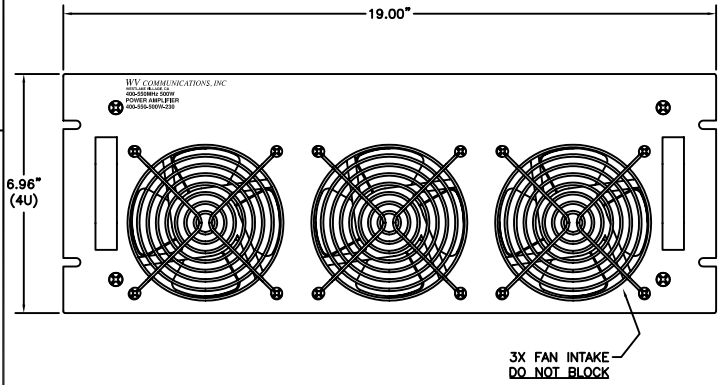
3

2

1

**** PROPRIETARY DATA ****
 THIS DOCUMENT CONTAINS DATA WHICH IS PROPRIETARY OR CONFIDENTIAL TO WV COMM (WV COMMUNICATIONS INCORPORATED). THIS DOCUMENT AND THE DATA CONTAINED HEREIN SHALL NOT BE USED, DUPLICATED, OR ALTERED WITHOUT THE EXPRESSED WRITTEN CONSENT OF WV COMM. ALL RIGHTS ARE RESERVED.

REVISIONS				
ZONE	REV	DESCRIPTION	DATE	APPROVED
	A	PRELIMINARY RELEASE		



J3 I/O Conn	
25 PIN 'D' SUB CONNECTOR	
PIN NO.	PIN NAME
1	V_CURR_A DRV
2	FWD_DET_PWR_OUT
3	T_VOUT DRV
4	DET_PWR DRV
5	Interlock Out
6	V_CURR_A PA#1
7	V_CURR_B PA#1
8	T_VOUT PA#1
9	DET_PWR PA#1
10	GND
11	V_CURR_A PA#2
12	V_CURR_B PA#2
13	T_VOUT PA#2
14	DET_PWR PA#2
15	V_CURR_A PA#3
16	V_CURR_B PA#3
17	T_VOUT PA#3
18	DET_PWR PA#3
19	V_CURR_A PA#4
20	V_CURR_B PA#4
21	T_VOUT PA#4
22	DET_PWR PA#4
23	FWD_DET_PWR OUT
24	HSNK_OVER_TEMP OUT
25	RFL_DET_PWR OUT

J4 +28VDC	
PIN NO.	PIN NAME
A	+28V DRIVER
B	+28V FINAL
C	+28V FINAL
D	+28V FINAL
E	+28V FINAL
F	+28V RTN
G	+28V RTN
H	+28V RTN
J	+28V RTN
K	+28V RTN
L	GND

J5 FAN	
PIN NO.	PIN NAME
A	+24V
B	+24V RTN

10-32 UNF-2B MOUNTING HOLES 3.88 SPACED 5 PLACES BOTH SIDES

OPERATING FREQUENCY RANGES: 400-550MHz
RF OUTPUT POWER: 500W Minimum 1dB Comp (700W Typical)
GAIN: 57dB Minimum at 1dB Comp
RF INPUT POWER W/O DAMAGE: +10dBm Maximum
SMALL SIGNAL GAIN FLATNESS: ±2dB Maximum into 1.25:1 VSWR
INPUT AND OUTPUT IMPEDANCE: 50Ω Nominal
INPUT VSWR: 2.0:1 Maximum
HARMONIC SIGNAL LEVELS: -65dBc Maximum
SPURIOUS SIGNAL LEVELS: -80dBc Maximum
TEMPERATURE INDICATION: 2.98Vdc at +25°C Nominal, 10mV/Deg K Over 0 to 100°C (LM335 Sensor) one output/amplifier module
TEMPERATURE RANGES: Operating 0 to +50°C Storage -20 to +70°C
HUMIDITY: Operating 0 to 95% Non Condensing
COOLING REQUIRED: Via Front / Rear Forced Air Fans
THERMAL PROTECTION: Thermostat contacts short when Baseplate temperature exceeds +80°C +28Vdc at 55 Amp Maximum (40 Amp Typical)
DC INPUT POWER AT 700W:
FRONT PANEL Color: GRAY per MIL-STD-595 26307

UNLESS OTHERWISE SPECIFIED: DIMENSIONS ARE IN INCHES. TOLERANCES ARE:
 FRACTIONS DECIMALS ANGLES HOLES
 ± 1/64 .XXX01 ±0°30' .XXX005 .XXX±.001

MACHINED FINISH: 32 RMS REMOVE BURRS .005 MAX

		APPROVALS	DATE
		DRAWN G. GODDARD	6JUN02
		CHECKED	
		Mech ENGR	
		ELEC ENGR	
		F/PA	
NEXT ASSEMBLY	USED ON	APPROVED	
APPLICATION		DO NOT SCALE DRAWING	

WVCommunications 756-A LAKEFIELD RD. WESTLAKE VILLAGE, CA

AMPLIFIER 400-550MHz 500W 400-550-500W-230

SIZE	CAGE CODE	DWG. NO.	REV
C	1GFQ7	050-50265	B
SCALE	NONE		SHEET 1 OF 1

4

3

2

1

DWG NO. 050-50265

30-0000-0001-00, REV C, 04/98