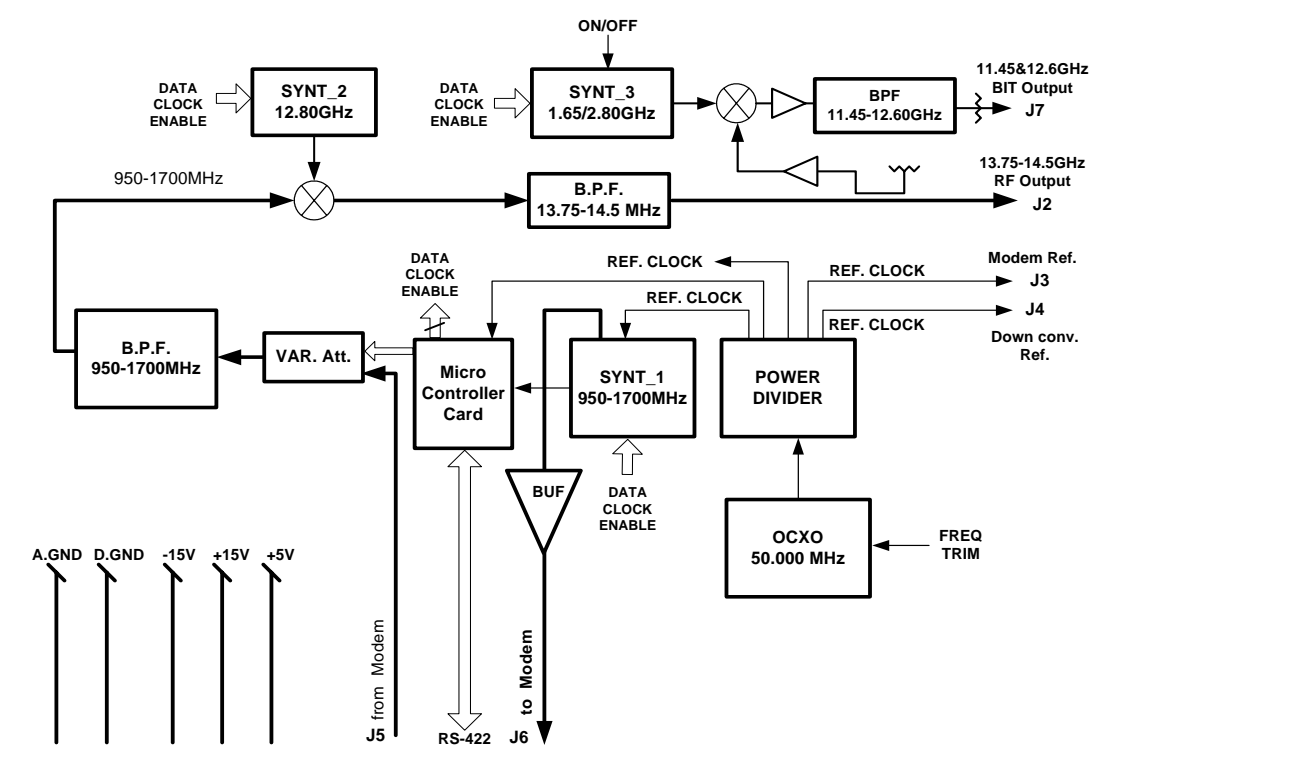
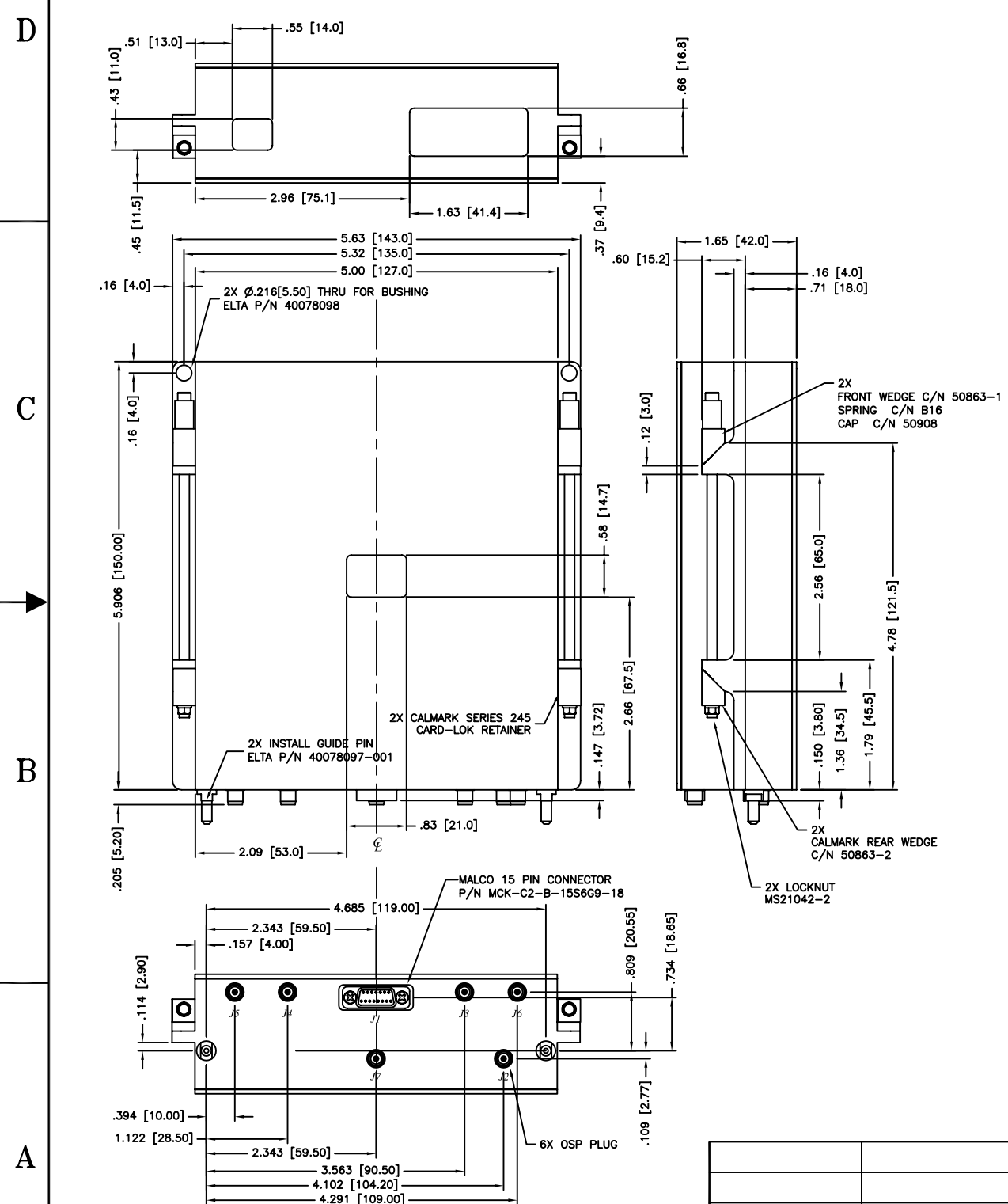


**** PROPRIETARY DATA ****
 THIS DOCUMENT CONTAINS DATA WHICH IS PROPRIETARY OR CONFIDENTIAL TO WV COMM (WV COMMUNICATIONS INCORPORATED). THIS DOCUMENT AND THE DATA CONTAINED HEREIN SHALL NOT BE USED, DUPLICATED, OR ALTERED WITHOUT THE EXPRESSED WRITTEN CONSENT OF WV COMM. ALL RIGHTS ARE RESERVED.

REVISIONS				
ZONE	REV	DESCRIPTION	DATE	APPROVED
	A	PRELIMINARY RELEASE		
	B	MOVED CONNECTORS TO ONE SIDE	04DEC02	
	C	MOVED CONNECTORS TO ONE SIDE	13DEC02	
	D	CHANGED & MOVED CONNECTORS	17DEC02	
	F	ADDED MISSING DIMENSIONS	23DEC02	



Conn	Name	Type	NOTES
J1	CNTR & CMD	15 F Conn	MCK-C2-B-15SYY (Malco)
J2	Up Conv OUT	OSP M	13.75-14.50GHz
J3	Modem Ref. OUT	OSP M	50.0000MHz
J4	Down Conv. Ref OUT	OSP M	50.0000MHz
J5	Mod. L Band IN	OSP M	950-1700MHz
J6	L band L.O.	OSP M	950-1700MHz
J7	TEST OUT	OSP M	10.95-12.20GHz

Connector J1

PIN No.	Function	Description	Level
1	+ 5 Vdc supply	+ 5 Vdc @ 0.22Amp.	
2	GND_5Vdc	Ground digital supply	
3	GND_ANA	Ground Analog supply	
4	+15 Vdc supply	+ 15 Vdc @ 0.5 Amp.	
5	-15 Vdc supply	- 15 Vdc @ 0.1 Amp.	
6	Chassis Ground		
7	Ser_DATA_Tx+	RS-422 - TX - Transmit serial command (from UC)	5V Diff Bus
8	Ser_DATA_Tx-	RS-422 - TX - Transmit serial command (from UC)	5V Diff Bus
9	Ser_DATA_Rx+	RS-422 - RX - Receive serial command (to UC)	5V Diff Bus
10	Ser_DATA_Rx-	RS-422 - RX - Receive serial command (to UC)	5V Diff Bus
11	Reset	Discrete signal resets the UDC internal controller.	Internal Pull Up. *0" = Reset
12-15	Not Used		

UNLESS OTHERWISE SPECIFIED: DIMENSIONS ARE IN INCHES. TOLERANCES ARE:
 FRACTIONS DECIMALS ANGLES HOLES
 ± 1/64 .XX±.01 ±0°30' .XX±.005
 .XXX±.005 .XXX±.001
 MACHINED FINISH: 32 RMS
 REMOVE BURRS .005 MAX

MATERIAL

FINISH

DO NOT SCALE DRAWING

APPROVALS		DATE
DRAWN	G. GODDARD	7/29/02
CHECKED		
MECH ENGR		
ELEC ENGR		
P/PA		
APPROVED		

WVCommunications 756-A LAKEFIELD RD. WESTLAKE VILLAGE, CA

UPCONVERTER 13.75 to 14.5 GHz WITH BIT OUTPUT ELTA P/N: 4004M830-001

SIZE	CAGE CODE	DWG. NO.	REV
C	1GFQ7	050-50259	F
SCALE	NONE		SHEET 1 OF 1

DC-P05B-00015-5, REV C, 06/98
 DWG NO. 050-50259 REV F