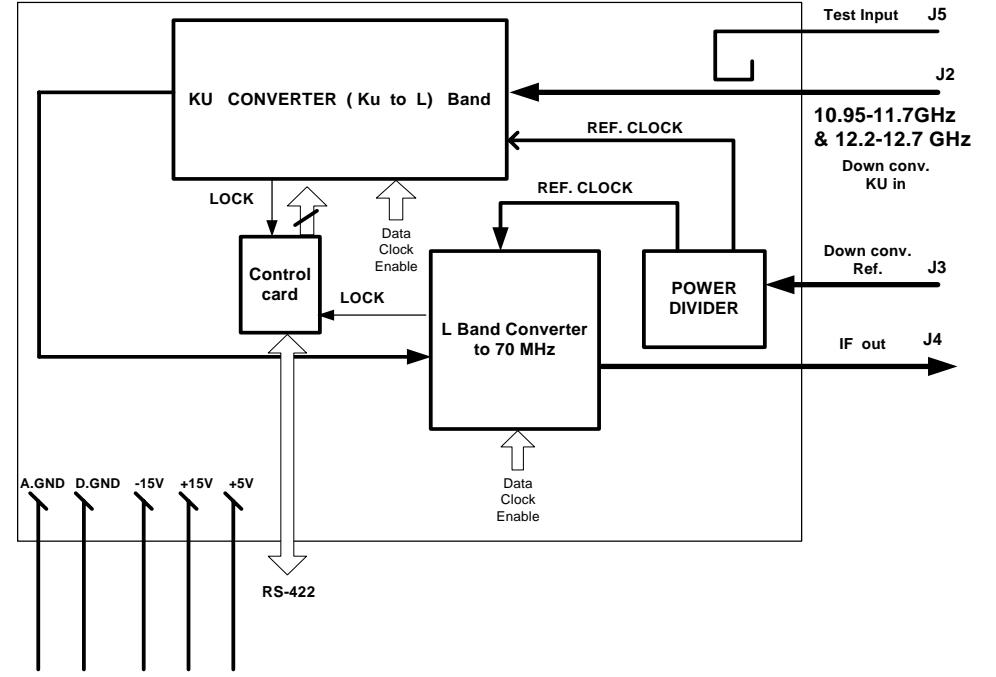
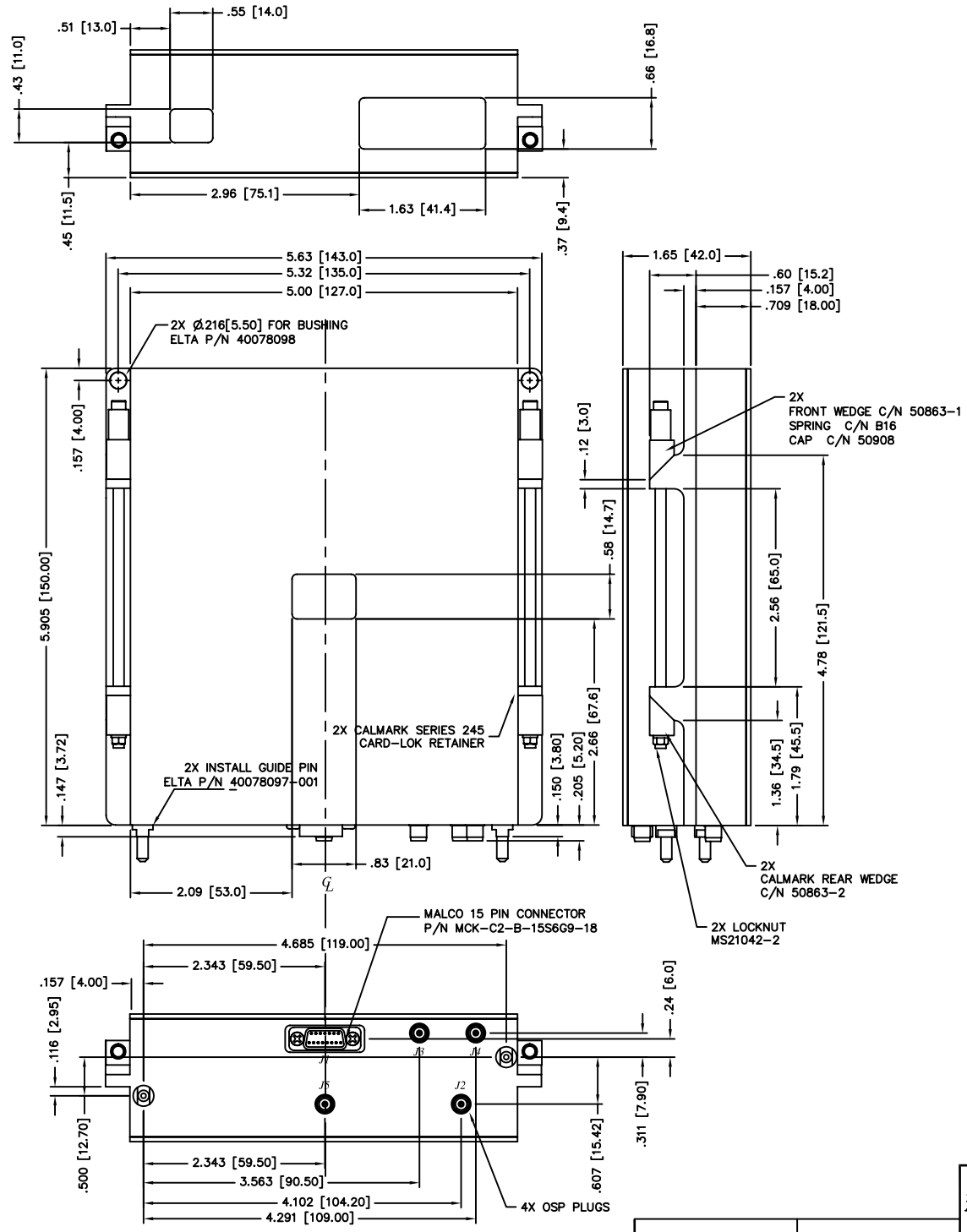


**** PROPRIETARY DATA ****
 THIS DOCUMENT CONTAINS DATA WHICH IS PROPRIETARY OR CONFIDENTIAL TO WV COMM (WV COMMUNICATIONS INCORPORATED). THIS DOCUMENT AND THE DATA CONTAINED HEREIN SHALL NOT BE USED, DUPLICATED, OR ALTERED WITHOUT THE EXPRESSED WRITTEN CONSENT OF WV COMM. ALL RIGHTS ARE RESERVED.

REVISIONS				
ZONE	REV	DESCRIPTION	DATE	APPROVED
	A	PRELIMINARY RELEASE		
	B	MOVED CONNECTORS TO ONE SIDE	04DEC02	
	C	MOVED CONNECTORS TO ONE SIDE	13DEC02	
	D	CHANGED & MOVED CONNECTORS	17DEC02	
	F	ADDED MISSING DIMENSIONS	23DEC02	

D
C
B
A



Connector J1

PIN No.	Function	Description	Level
1	+ 5 Vdc supply	+ 5 Vdc @ 0.55Amp.	
2	GND_5Vdc	Ground digital supply	
3	GND_ANA	Ground Analog supply	
4	+15 Vdc supply	+15 Vdc @ 0.5 Amp.	
5	-15 Vdc supply	-15 Vdc @ 0.1 Amp.	
6	Chassis Ground		
7	Ser_DATA_Tx+	RS-422 - TX - Transmit serial command (from DC)	5V Diff Bus
8	Ser_DATA_Tx-	RS-422 - TX - Transmit serial command (from DC)	5V Diff Bus
9	Ser_DATA_Rx+	RS-422 - RX - Receive serial command (to DC)	5V Diff Bus
10	Ser_DATA_Rx-	RS-422 - RX - Receive serial command (to DC)	5V Diff Bus
11	Reset	Discrete signal resets the UDC internal controller.	Internal Pull Up. '0' = Reset
12-15	Not Used		

Conn	Name	Type	NOTES
J1	CNTR & CMD	15 F Conn	MCK-C2-B-15SYY (Malco)
J2	Down Conv RF In	OSP M	10.95-11.7 & 12.20-12.70GHz
J3	Down Conv Ref In	OSP M	50.0000MHz
J4	IF Out	OSP M	70MHz
J5	Test In	OSP M	10.95-11.7 & 12.20-12.70GHz

UNLESS OTHERWISE SPECIFIED: DIMENSIONS ARE IN INCHES. TOLERANCES ARE:
 FRACTIONS DECIMALS ANGLES HOLES
 ± 1/64 .XX±.01 ±0°30' .XX±.005
 .XXX±.005 .XXX±.003
 MACHINED FINISH: 32 RMS
 REMOVE BURRS .005 MAX

MATERIAL: _____
 FINISH: _____

APPROVALS: _____ DATE: _____
 DRAWN: G. GODDARD 7/29/02
 CHECKED: _____
 MECH ENGR: _____
 ELEC ENGR: _____
 P/PA: _____
 APPROVED: _____

DO NOT SCALE DRAWING

WVCommunications 756-A LAKEFIELD RD. WESTLAKE VILLAGE, CA

DOWNCONVERTER DUAL BAND
 10.95-11.7&12.2-12.7GHz to 70MHz
 P/N: 4004M840-001

SIZE	CAGE CODE	DWG. NO.	REV
C	1GFQ7	050-50258	F
SCALE	SHEET		1 OF 1
NONE			

DWG NO. 050-50258 REV F

DC-P05M-00015-S, REV C, 06/08

4 3 2 1