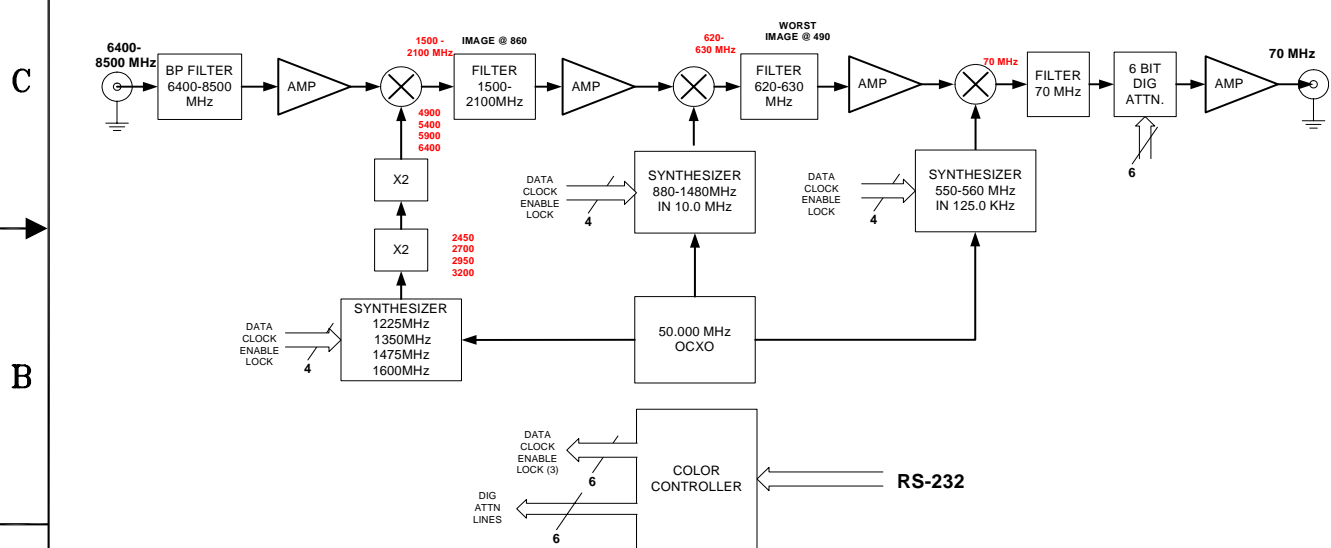
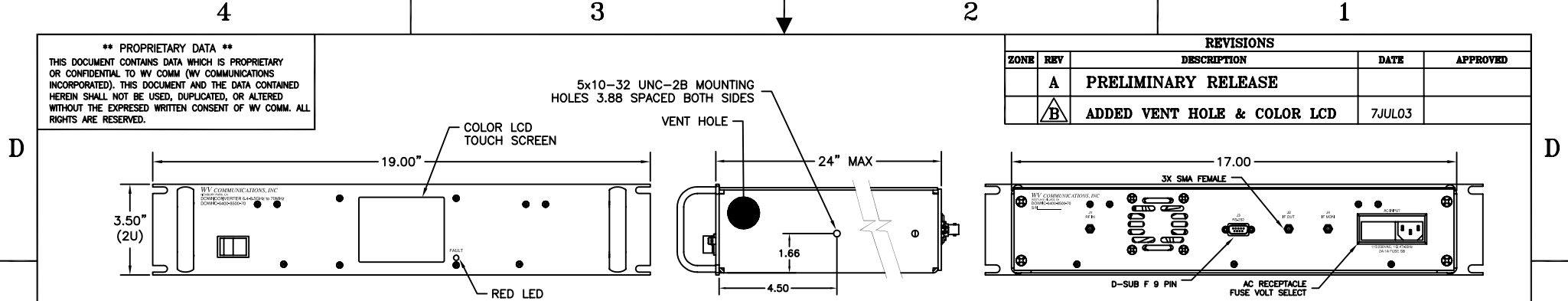


**** PROPRIETARY DATA ****
 THIS DOCUMENT CONTAINS DATA WHICH IS PROPRIETARY OR CONFIDENTIAL TO WV COMM (WV COMMUNICATIONS INCORPORATED). THIS DOCUMENT AND THE DATA CONTAINED HEREIN SHALL NOT BE USED, DUPLICATED, OR ALTERED WITHOUT THE EXPRESSED WRITTEN CONSENT OF WV COMM. ALL RIGHTS ARE RESERVED.

REVISIONS				
ZONE	REV	DESCRIPTION	DATE	APPROVED
	A	PRELIMINARY RELEASE		
	B	ADDED VENT HOLE & COLOR LCD	7JUL03	



RF INPUT FREQUENCY: 6400-8500MHz

LO FREQUENCY STEPS: 125.0KHz

LO LEAKAGE: -80dBm Maximum

IF OUTPUT RETURN LOSS: 20dB Minimum Ref 50 Ohm

IF OUTPUT FREQUENCY: 70±20MHz

IF OUTPUT POWER: +10dBm Minimum at 1 dB comp

NOISE FIGURE: 12dB Maximum

CONVERSION GAIN: 0-30dB Nominal

GAIN ADJUSTMENT STEPS: 0.5dB Nominal

IMAGE REJECTION: 80dB Minimum

LEVEL STABILITY: ±0.25dB / day Maximum

AM PLITUDE RESPONSE: ±0.25dB/±20MHz Maximum

FREQUENCY SELECTION: Via Front Panel Soft Buttons / Remote RS-232: IEEE-488.2 Optional

LO STABILITY: Within ±2X10⁻⁸ over 0-50° ±5X10⁻⁹/day Maximum

GROUP DELAY (±18MHz): ±0.03nS/MHz Maximum Linear ±0.01nS/MHz Maximum Parabolic 1nS Pk-Pk Maximum ripple

3rd ORDER INTERCEPT POINT: -40dBc with 2ea 0dBm outputs

AM TO FM CONVERSION: 0.1"/dB Maximum to +5dBc

GAIN SLOPE: 0.02dB/MHz Maximum

SPURIOUS OUTPUTS: -65dBc Maximum (signal related)

PHASE NOISE: **Offset ∅ Noise dBc/Hz**

10Hz	-55
100Hz	-75
1KHz	-80
10KHz	-85
100KHz	-95

WEIGHT: 20 Lbs. Maximum

INPUT VOLTAGE: 85-264VAC ±10%, at 2/1A Autoselect. 47-63Hz Autoselect

J3 RS-232C	
PIN NO.	PIN NAME
1	N/C
2	RX
3	TX
4	N/C
5	GND
6	N/C
7	N/C
8	N/C
9	N/C

UNLESS OTHERWISE SPECIFIED: DIMENSIONS ARE IN INCHES. TOLERANCES ARE:		APPROVALS		DATE
FRACTIONS	DECIMALS	ANGLES	HOLE	
± 1/64	±.01	±0°30'	±.005	
	±.005		±.001	
MACHINED FINISH: 32 RMS REMOVE BURRS .005 MAX				
MATERIAL				
FINISH				
NEXT ASSEMBLY	USED ON	APPROVED		
APPLICATION		DO NOT SCALE DRAWING		

WV Communications 756-A LAKEFIELD RD. WESTLAKE VILLAGE, CA

DOWNCONVERTER
 6.4-8.5GHz to 70MHz
 DOWNC-6400-8500-70

SIZE	CAGE CODE	DWG. NO.	REV
B	1GFQ7	050-50249	B
SCALE	NONE	SECRET	1 OF 1

A

A

D

D

C

C

B

B

4

3

2

1

30-0000-0010-001 0.00/00