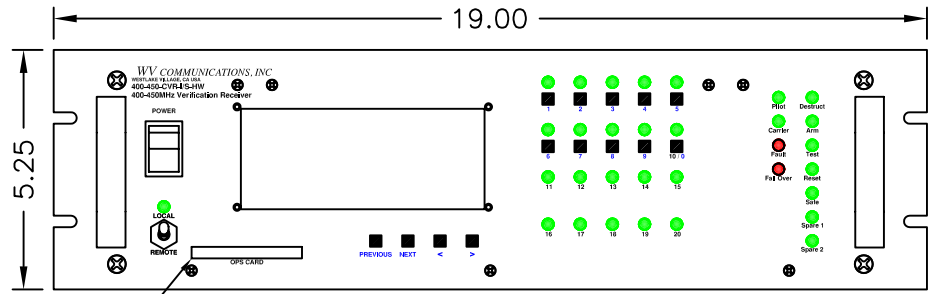
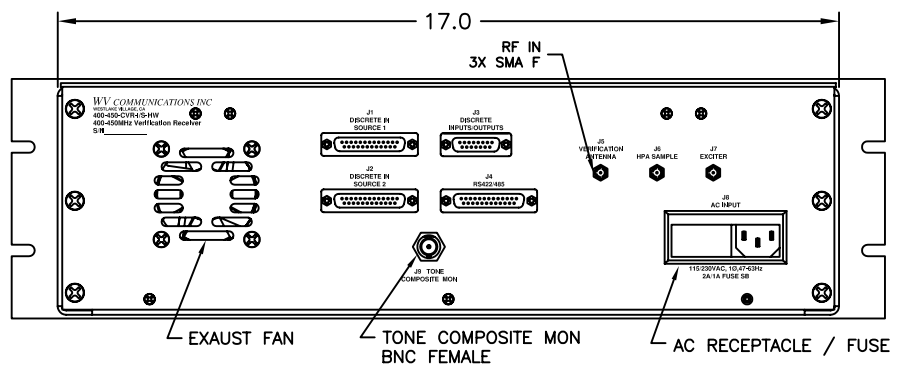
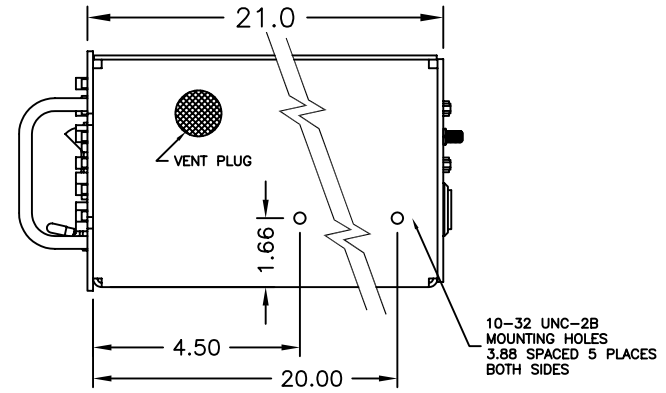


**\*\* PROPRIETARY DATA \*\***  
 THIS DOCUMENT CONTAINS DATA WHICH IS PROPRIETARY OR CONFIDENTIAL TO WV COMM (WV COMMUNICATIONS INCORPORATED). THIS DOCUMENT AND THE DATA CONTAINED HEREIN SHALL NOT BE USED, DUPLICATED, OR ALTERED WITHOUT THE EXPRESSED WRITTEN CONSENT OF WV COMM. ALL RIGHTS ARE RESERVED.

REVISIONS				
NO.	REV	DESCRIPTION	DATE	APPROVED
A		PRELIMINARY RELEASE		
B		RELEASED	8MAY02	
C		CHANGED CONNECTOR DRAWING	23MAY02	
D		CORRECTED FRONT VIEW	10JUN02	
E		CHANGED SILKSCREEN	26AUG02	
F		ADDED J9, TONE COMPOSITE MON	12FEB03	



REMOVABLE MEMORY CARD



J1 DISCRETE IN SOURCE 1	
25 PIN D SUB FEM M24308/2-3	
PIN NO.	PIN NAME
1	NC
2	Destruct
3	Arm
4	Test
5	Reset
6	Safe
7	Spare 1
8	Spare 2
9	Pilot
10	Carrier
11-13	NC
14-25	Ground

J2 DISCRETE IN SOURCE 2	
25 PIN D SUB FEM M24308/2-3	
PIN NO.	PIN NAME
1	NC
2	Destruct
3	Arm
4	Test
5	Reset
6	Safe
7	Spare 1
8	Spare 2
9	Pilot
10	Carrier
11-13	NC
14-25	Ground

J3 DISCRETE INPUTS/OUTPUTS	
15 PIN D SUB MALE M24308/4-2	
PIN NO.	PIN NAME
1	HPA Sample/Ant. Select IN
2	Pedestal/Exciter Select IN
3	Reset IN
4	Ground
5	Ground
6	HPA Sample/Ant. Mon. OUT
7	Pedestal/Exciter Mon. OUT
8	Failover OUT
9	BIT Health OUT
10	Remote/Local OUT
11	Command A OUT
12	Command B OUT
13	Command C OUT
14	Carrier OUT
15	Pilot OUT

J4 RS-485	
25 PIN D SUB MALE M24308/4-3	
PIN NO.	PIN NAME
1	GND
2	DATA +
3	DATA -
4	SPARE
5	SPARE
6	SPARE
7	GND
8	ADDRESS 1
9	ADDRESS 2
10	ADDRESS 3
11	ADDRESS 4
12-20	SPARE
21	GND
22	GND
23	GND
24	GND
25	SPARE

APPROVALS G. GOODARD DATE: APR02		DATE: APR02	
MATERIAL:		SCALE: NONE	
PART:		PART NO.: 050-50193	
NEXT ASSEMBLY USED ON:		REV: 1 OF 1	
APPLICATION: DO NOT SCALE DRAWING		WVCommunications 756-A LAKEFIELD RD. WESTLAKE VILLAGE, CA <b>RECEIVER IRIG/SECURE</b> 20 TONE 400-450MHz, 100KHz STEPS WITH FAULTS (CVR) 400-450-CVR-1/S-BW	

REV. 050-50193