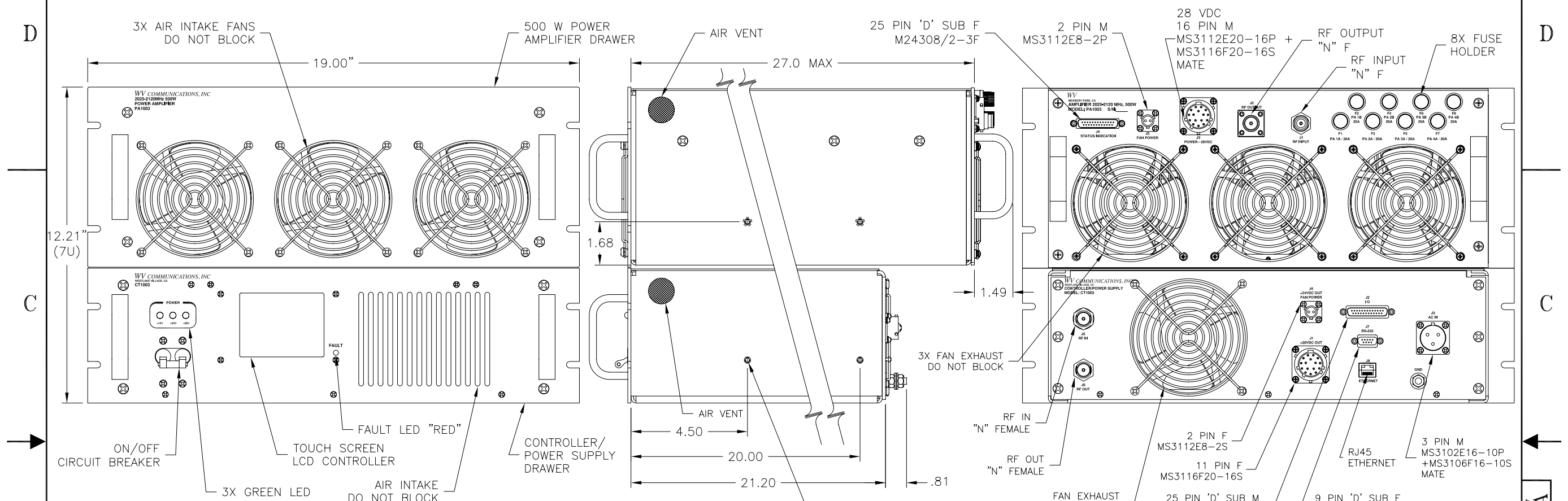


**** PROPRIETARY DATA ****
 THIS DOCUMENT CONTAINS DATA WHICH IS PROPRIETARY OR CONFIDENTIAL TO WV COMM (WV COMMUNICATIONS INCORPORATED). THIS DOCUMENT AND THE DATA CONTAINED HEREIN SHALL NOT BE USED, DUPLICATED, OR ALTERED WITHOUT THE EXPRESSED WRITTEN CONSENT OF WV COMM. ALL RIGHTS ARE RESERVED.

REVISIONS				
ZONE	REV	DESCRIPTION	DATE	APPROVED
	A	RELEASE	12/09/05	TT,DT,UY



OPERATING FREQUENCY RANGES: 1625-1675 or 1750-1850 or 2025-2120MHz
RF OUTPUT POWER: 500W Minimum 1dB Comp (700W Typical)
GAIN: 57dB Minimum at 1dB Comp
ALC RF INPUT POWER: 0dBm Nominal -5 to + 3dBm Typical +10dBm Maximum
RF INPUT POWER W/O DAMAGE: +10dBm Maximum
SMALL SIGNAL GAIN FLATNESS: ±2dB Maximum into 1.25:1 VSWR
INPUT AND OUTPUT IMPEDANCE: 50Ω Nominal
INPUT VSWR: 2.0:1 Maximum
HARMONIC SIGNAL LEVELS: -65dBc Maximum
SPURIOUS SIGNAL LEVELS: -80dBc Maximum
AMPLIFIER OPERATING MODES: ALC/LINEAR
MONITOR/COMMAND MODES: Local Control Via Color LCD Touchscreen
REMOTE OPERATING MODES: Ethernet UDP and RS232 or 422
REMOTE MONITORING: All Functions available via Remote Ethernet RS232/422
TEMPERATURE RANGES: Operating 0 to +50°C Storage -20 to +70°C
HUMIDITY: Operating 0 to 95% Non Condensing
COOLING REQUIRED: Via Front / Rear Forced Air Fans
THERMAL PROTECTION: Thermostat contacts short when Baseplate temperature exceeds +77°C
AC INPUT AT 500W RF OUTPUT: 180-264VAC 1 or 3 Phase 47-63Hz 3KVA Maximum (1.5KVA Typical)
FRONT PANEL COLOR: GRAY per MIL-STD-595 26307

UNLESS OTHERWISE SPECIFIED: DIMENSIONS ARE IN INCHES. TOLERANCES ARE: FRACTIONS DECIMALS ANGLES HOLES ± 1/64 .XX±.01 ±0°30' .XX±.005 .XXX±.005 .XXX±.001 MACHINED FINISH: 32 RMS REMOVE BURRS .005 MAX		APPROVALS	DATE
DRAWN	TONY T.		12/09/05
CHECKED	DON T.		12/09/05
MECH ENGR	TONY T.		12/09/05
ELEC ENGR	URI Y.		12/09/05
PRODUCTION	AM		12/09/05
Q.A.	DB		12/09/05
NEXT ASSEMBLY	USED ON		
APPLICATION	DO NOT SCALE DRAWING		

WVCommunications 1176 TOURMALINE DR. NEWBURY PARK, CA

AMPLIFIER SYSTEM
 500W
 SYS1004

SIZE	CAGE CODE	DWG. NO.	REV
C	1GFQ7	040-50014	A
SCALE	SHEET		1 OF 1
NONE			

REV A
 DWG NO. 040-50014

DC-FORM-0015-3, REV. C, 06/08